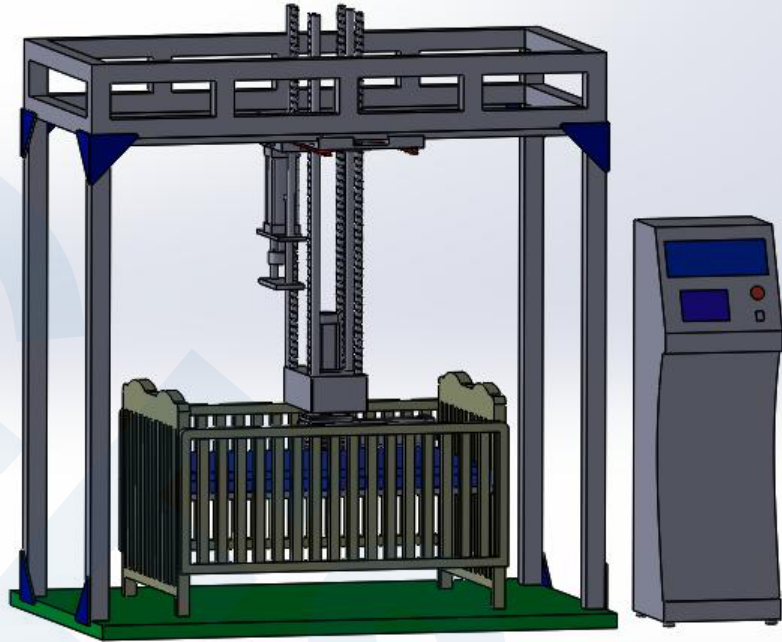


Product Presentation



Application

This machine is mainly used for crib comprehensive performance test, including: mattress support system downwards static load test, fence downwards static load test, mattress support system impact test, fence strength testing , fence spindle / Slat static load testing .

Feature

- 1.The power loading device of this machine are two Panasonic servo motor. One exerts a vertical downward load power. The other one performs a horizontal load strength and can adjust the angle of 360 degrees which makes it possible to test the surrounding fence.
- 2.The impact test is driven by Cylinder driving, the top of the cylinder is equipped with electromagnets. Complete the impact test by adsorbing and releasing the pounding head .

Standards

ASTM F1821 section 7.2.2, 7.2.3, 7.2.4, 7.3, 7.9, 7.10

16CFR PART 1217

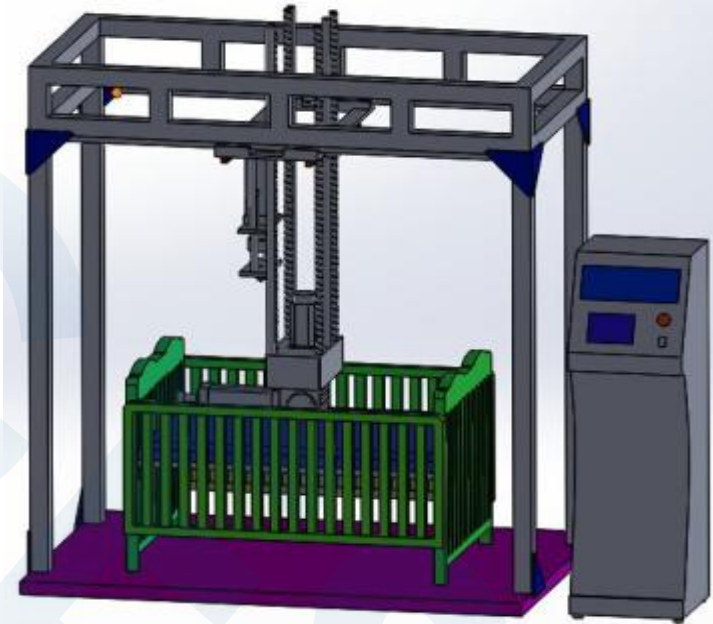
Key Specification

Model	GT-MF01
control mode	PLC control system
Drive mode	Impact test: Cylinder driving
	Static load testing: Panasonic, servo motor
Load Cell	Horizontal direction: 200kg
	Vertical direction: 200kg
	Precision: $\pm 0.2\%FS$
Impact head weight	50 LBS
Impact height	305mm
Power load speed	1000mm/min
Power	AC 220V 50/60 Hz
Dimension	2200×1500×2600mm
Weight	1000 kg

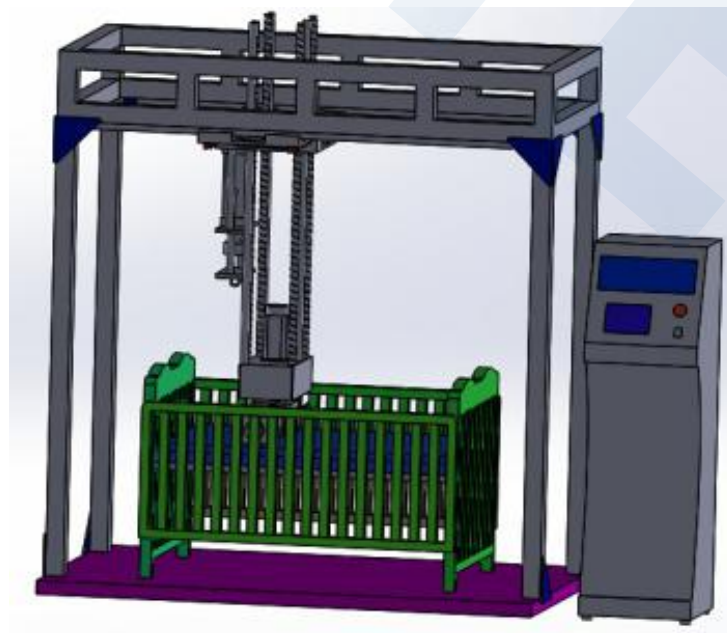
Accessories

Standard Accessories	Plywood:	
	37in×19in×0.75in	1pc
	19in×19in×0.75in	1pc
	12in×12in×0.75in	1pc
	6in×3in×0.2in	1pc
	Power line	1pc
Optional Accessories	GT-MA12 Air compressor	

1.Horizontal load Test Mimic Diagram



2.Vertical Loading Force Test Mimic Diagram



3.Impact Test Mimic Diagram

